

VERSO HI-POE IPM

POLYCARBONATE HOUSING WITH IPM TECHNOLOGY FOR IP CAMERAS



IP66

IP67

TYPE
4X

IK10



VERSO HI-POE IPM + CAMERA



VERSO HI-POE IPM + GEKO IRH

DESCRIPTION

The VERSO Hi-PoE IPM housing optimally exploits PoE and Hi-PoE technology, using the power supplied by the Ethernet cable as the sole source of power for all the devices connected, thus ensuring the maximum efficiency and flexibility of the network system as well as user-friendly installation and low costs.

The innovative IPM (Intelligent Power Management) system enables extremely quick and easy installation with the use of a single Ethernet connecting cable.

The Hi-PoE IPM system automatically detects all the options, like heating, fan and illuminator and then autonomously balances the power to ensure suitable distribution of the same to the connected devices. This guarantees the optimal operation of the IP camera between -30°C (-22°F) and +60°C (140°F), with heat regulation and cold start (activation at low temperature).

The IPM system offers an opportunity to refit analogue systems with already installed housings by simply changing the slide and internal electronics. This enables the digital conversion, speeding up the installation and thereby minimizing costs and environmental impact.

MAIN FEATURES

IPM technology (Intelligent Power Management)

PoE/Hi-PoE power supply for heating, demisting, illuminator, fan and PoE network camera

Compatible with IEEE 802.3af, IEEE 802.3at/PoE Plus

Vandal-proof protection (IK10)

IP66/IP67 (with cable glands or optional sealing rings)

Special cable gland for a fast Ethernet connection/disconnection without cutting the RJ45 connector

Version with fan with double air filter

Pre-arranged to supply a GEKO IRH illuminator

Pre-arranged for internal cable management bracket

TECHNICAL DATA

MECHANICAL

Made of strong technopolymer (polycarbonate), RAL9002 colour
Sunshield in ABS
Epoxy polyester powder painting, RAL9002 colour
Stainless steel external screws
Internal usable area (WxHxL): 70x70x230mm (2.7x2.7x9.0in)
Cable glands: 1xM12, 1xM16, 1xM20
Polycarbonate window (WxH): 105x64mm (4.1x2.5in)
Unit weight: 1.6kg (3.5lb)

ELECTRICAL

Power absorbed in input: PoE class 3 (13W) or Hi-PoE class 4 (25W) selectable with dip switch
Available power for camera (PoE IN class 3): PoE Class 2 (7W)
Available power for camera (Hi-PoE IN class 4): PoE class 3 (13W) with Ton -10°C ±2°C "cold start" function
Data line: 10/100Base-T
Illuminator GEKO IRH, low power: 6W
Heater: 8W, electronically controlled, Ton 20°C±2°C (68°F±4°F), Toff 23°C±2°C (73.4°F±4°F)
Fan with thermostat for camera cooling for versions with double air filter: Ton 35°C±2°C (95°F±4°F), Toff 32°C±2°C (89.6°F±4°F)
Demisting with forced hot air: 5W
Compatible with IEEE 802.3af, IEEE 802.3at/PoE Plus
Compatible with the Power Injector (OHEPOWINJ: VIDEOTEC optional accessory)

ENVIRONMENT

For indoors and outdoors installation
Operating temperature: From -10°C (14°F) up to +60°C (140°F)
Operating temperature (with heater): From -30°C (-22°F) up to +60°C (140°F)
Chemical agents resistance

- High resistance: basics, alcohols, gas, hydrocarbon
- Good resistance: Organic acids, inorganic acids, oils
- Low resistance: Solvents

Relative humidity: from 5% up to 95%

CERTIFICATIONS

Electrical safety (CE): EN60950-1, EN62368-1, IEC60950-1
Electromagnetic compatibility (CE): EN50130-4, EN61000-6-3, EN55032 Class B, FCC Part. 15 Class B, ICES-003 Class B
Outdoor installation (CE): EN60950-22, IEC 60950-22
IP protection degree (EN60529):

- IP66/IP67 (with cable glands)
- IP66/IP67 (with sealing rings and an internal cable channel)
- IP55 (with bracket with internal cable channel)
- IP44 (for models with double filter for ventilation)

IK protection degree (EN62262): IK10
UL certification:

- cULus Listed, TYPE 4X (except for versions with double filter for the air exchange)
- UL94, V1 (fire-self extinguish)

EAC certification

ACCESSORIES

OHEPOWINJ	Hi-PoE Power Injector, 1 channel, for indoor installations
OWBIP3	Sealing rings kit (1xM12 - 1xM16 - 1xM20) IP66 for WBOVA2 and WCM4A2 brackets for VERSO Hi-PoE IPM and HOV Hi-PoE IPM housings
OHEGBB	Weatherproof junction box
OSUPPIR	Support for 1 GEKO IRH illuminator under the housing (the combination between OSUPPIR and WBOVA2 wall mount is not compatible with the PUNTO housing)

RELATED PRODUCTS

PTH300	Horizontal/vertical Pan & Tilt
IRH10L8A	LED Illuminator, 10°, 850nm, 24Vac - 12/24Vdc
IRH30L8A	LED Illuminator, 30°, 850nm, 24Vac - 12/24Vdc
IRH60L8A	LED Illuminator, 60°, 850nm, 24Vac - 12/24Vdc

BRACKETS AND ADAPTORS

WBJA	Wall mount bracket
WBOVA2	Wall bracket with internal cable channel
WBOV3A2	Wall bracket with internal cable channel, counterplate and support box, not compatible with OHEBVF1, OHEBVF2 and OHEBVF3
WCM3A	Ceiling bracket with ball joint
WCM5A	Ceiling bracket with ball joint
WCM4A2	Ceiling bracket with internal cable channel
WCMPA	Linear extension for WCM4A2 and WCM5A
WFWCA	Column bracket with joint
DBHWGC	Pole adapter Ø 210mm, max 225mm (8.2in, max 8.9in). To be combined with the reinforcing support plate WCPA.
WCWA	Corner mount adaptor
WSFPA	Pole mount adaptor
WCPA	Reinforcing support plate for poor consistency walls
NXWTU	Wall adaptor module in stainless steel AISI 316L

SPARE PARTS

OHPVPOEIPM	Maintenance/retrofit kit for VERSO and VERSO Hi-PoE IPM housings
OHOV32SUP	Complete upper body

PACKAGE

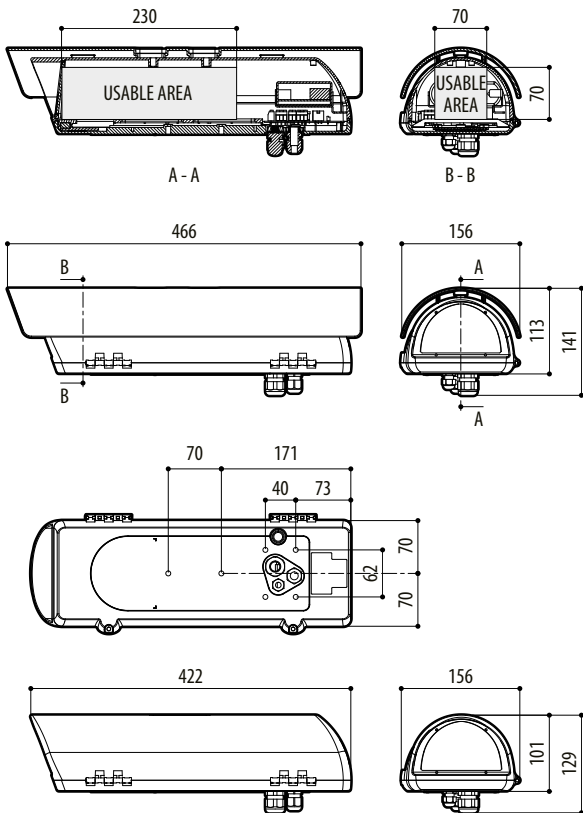
Model Number	Weight	Dimensions (WxHxL)	Master carton
HPV42K2A700	1.9kg (4.2lb)	16.5X15.5X49cm (6.5x6.1x19.3in)	10

VERSO HI-POE IPM AVAILABLE MODELS AND FEATURES

Operating temperature	Injector	Camera	Demisting Heating system	Illuminator	Heater	Fan with double air filter	Model Number
From -10°C (14°F) up to +60°C (140°F)	PoE class 3 (13W)	PoE max. class 2 (7W)	√	–	–	√	HPV42K2A716
	Hi-PoE class 4 (25W)	PoE max. class 3 (13W)	√	√	–	√	HPV42K2A716
From -10°C (14°F) up to +60°C (140°F)	PoE class 3 (13W)	PoE max. class 2 (7W)	√	–	–	–	HPV42K2A700
	Hi-PoE class 4 (25W)	PoE max. class 3 (13W)	√	√	–	–	HPV42K2A700
From -30°C (-22°F) up to +60°C (140°F)	Hi-PoE class 4 (25W)	PoE max. class 3 (13W)	√	–	√	–	HPV42K2A700

TECHNICAL DRAWINGS

The indicated measurements are expressed in millimetres.



VERSO HI-POE IPM