

UEBP4 - UEBP7

PARAPET SUPPORT WITH QUICK CONNECTORS



TECHNICAL DATA

MECHANICAL

Bracket for ULISSE EVO PTZ
Aluminium pressure casting construction
Dimensions: 129x53x180mm (5x2x7in)
Unit weight: 0.65kg (1.4lb)

PART NUMBER

UEBP4AA Parapet bracket with quick connectors RJ45 (Ethernet and PoE) + 4 poles with screw terminal (power supply and I/O) for ULISSE EVO grey-white (RAL9002)

DESCRIPTION

Support for ULISSE EVO PTZ, for railing assembly with quick connectors.

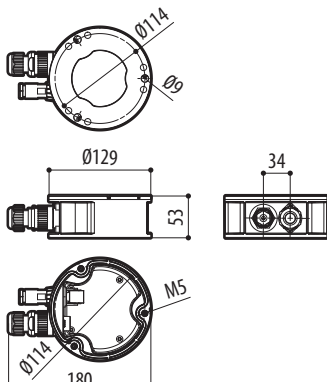
UEBP4FA	Parapet bracket with quick connectors RJ45 (Ethernet and PoE) + 4 poles with screw terminal (power supply and I/O) for ULISSE EVO, black colour (RAL9005)
UEBP7AA	Parapet bracket with quick connectors RJ45 (Ethernet and PoE) + 7 poles to weld (power supply and I/O) for ULISSE EVO, grey-white (RAL9002)
UEBP7FA	Parapet bracket with quick connectors RJ45 (Ethernet and PoE) + 7 poles to weld (power supply and I/O) for ULISSE EVO, black colour (RAL9005)

PACKAGE

Model Number	Weight	Dimensions (WxHxL)	Master carton
UEBP4	0.85kg (1,87lb)	18x20x7cm (7x7.9x2.8in)	-
UEBP7	0.85kg (1,87lb)	18x20x7cm (7x7.9x2.8in)	-

TECHNICAL DRAWINGS

The indicated measurements are expressed in millimetres.



UEBP4 - UEBP7